



www.polyskid.com
P. O. Drawer 349, Monticello, GA. 31064
Phone: 800-542-7659, Fax: 706-468-2881
E-Mail: polytech@polyskid.com

How to Install the Right Support Assembly Cover (ARSA) On a Case 1020 Grain Platform

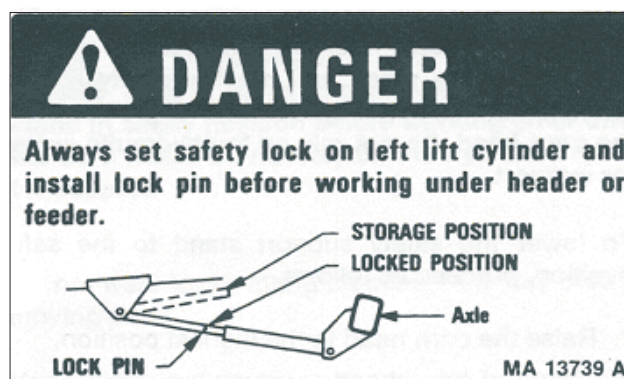
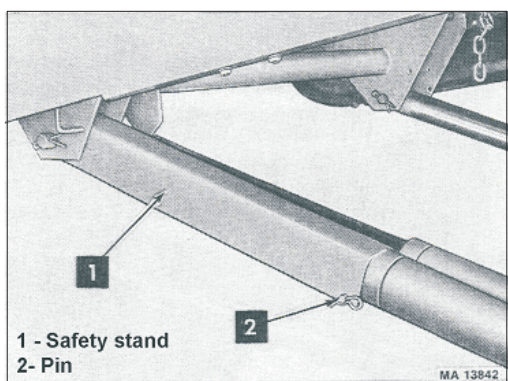
**PLEASE READ THE ENTIRE INSTRUCTION SHEET
BEFORE STARTING INSTALLATION**

THE TERMS "LEFT", "RIGHT", "FRONT", and "REAR " ARE DETERMINED BY
FACING IN THE DIRECTION THE COMBINE WILL TRAVEL WHEN IN USE.

Compare the contents with the enclosed "PACKING SLIP" to confirm that you
have received the correct panel and associated hardware for your model header.

STEP 1

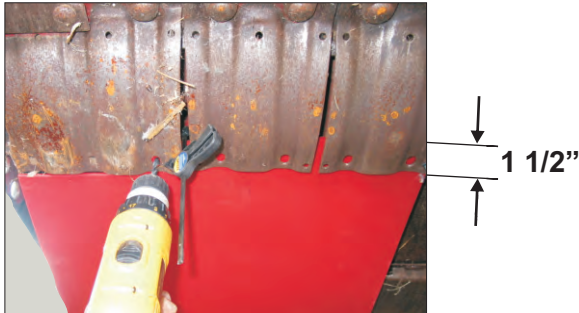
With the platform attached to the combine, raise the feeder house to the
maximum height and engage the feeder house safety lock.



**PLEASE REFER TO THE OPERATORS MANUAL FOR YOUR
SPECIFIC COMBINE FOR PERTINENT SAFETY PRECAUTIONS**

STEP 2

Insert the front of the RSA above the metal skids. Position the panel so it is aligned with the right edge of the outboard skid and overlapping the trailing edge 1 ½ inches.



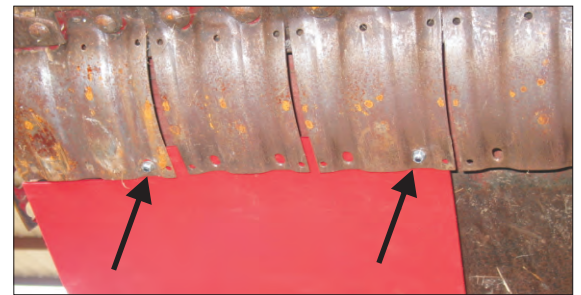
STEP 3

With the panel clamped in place, drill the two mounting holes with the 9/32" drill bit supplied. Drill in the recessed portion of the metal skid as illustrated above.

**When using power tools, basic safety precautions should always be followed to reduce the risk of personal injury.
WEAR SAFETY GLASSES OR GOGGLES**

STEP 4

Install the 1/4-20 x 3/4 reliance bolts from the top side and secure the panel with the 1/4" flange nuts.



STEP 5 REAR ATTACHMENT

With the eye straps attached to the snap hooks and the chains vertical, pull the RSA up until it makes contact with the bottom of the head.

While holding slight tension on each chain, mark the eye strap mounting holes.

Drill the four mounting holes using the 13/64" drill bit supplied.

Insert the No.8 x ½" screws from inside the header and secure the eye straps with the flat washers and lock nuts.

The snap hooks allow you to disconnect and lower the RSA to service the header.

