



INSTALLATION INSTRUCTIONS

Stubble Stopper Toolbar for Geringhoff Corn Heads up to 2011

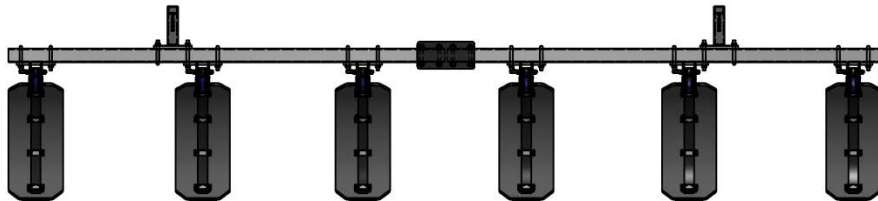
PLEASE READ ENTIRE INSTRUCTION SHEET BEFORE STARTING INSTALLATION

The Terms "LEFT", "RIGHT", "FRONT", and "REAR" are determined by facing in the direction the combine will travel when in use.

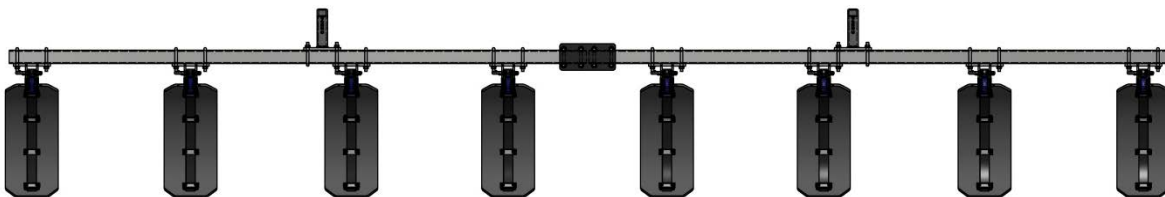
Please refer to the operator's manual for your specific combine for pertinent safety precautions.

Please review your packing list to confirm proper parts for Kit Ordered.

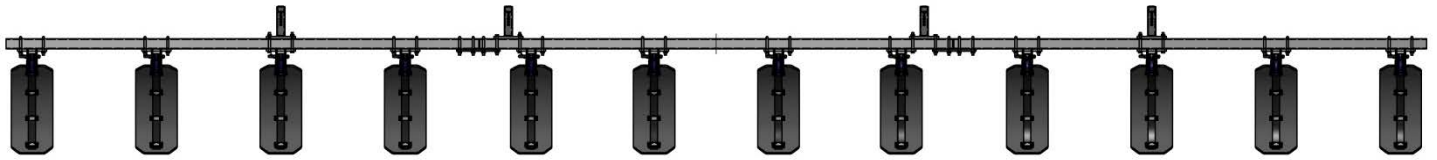
TBMGK101



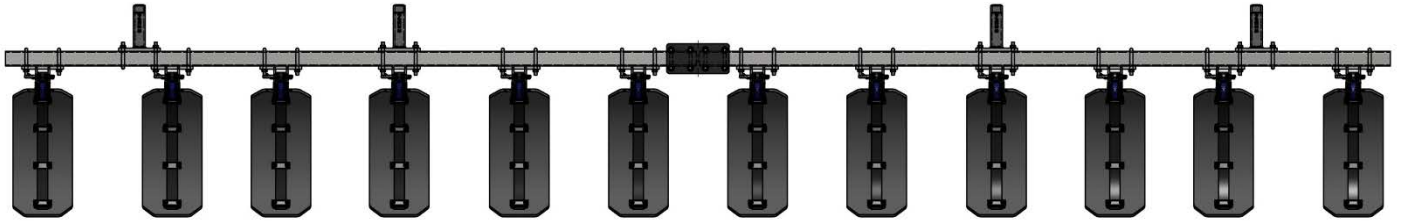
TBMGK102



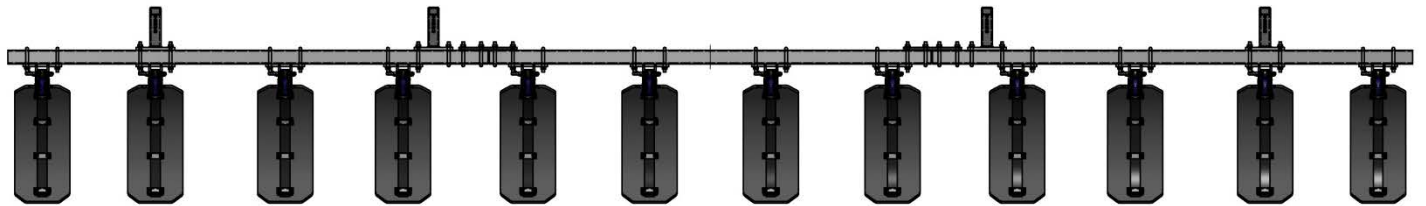
TBMGK103



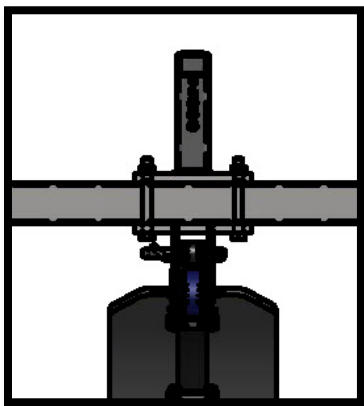
TBMG104



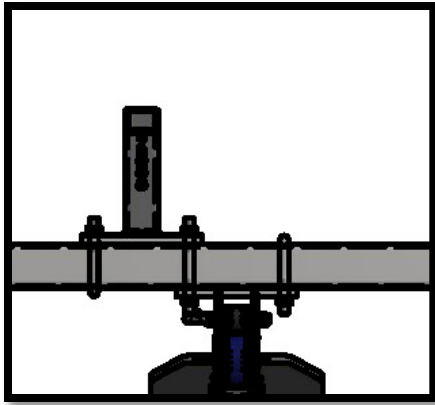
TBMGK105



STEP 1 Begin by laying out all parts as illustrated above to see how the row units line up with mounting brackets **TBMG001**.

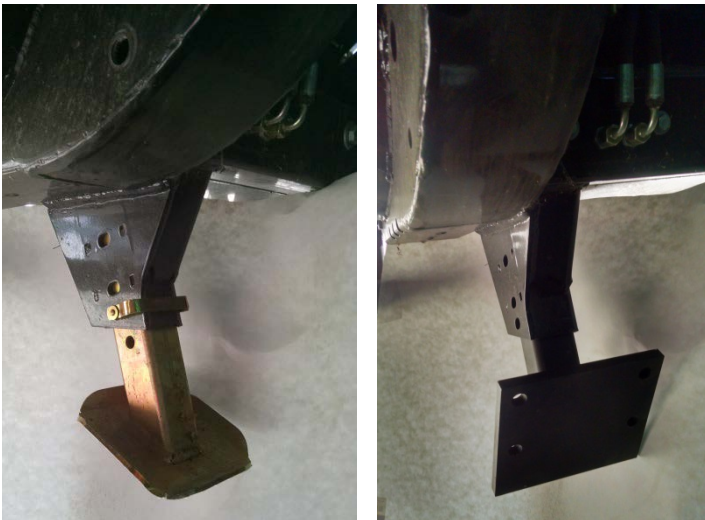


Some row units will line up with the toolbar mounting bracket and will require 1/2" x 4 1/2" hex head bolts and nut to sandwich toolbar between the row unit and toolbar mounting bracket. See illustration to the left.



Other row units will line up on only one side of a toolbar mounting bracket. Use 1/2" x 4 1/2" hex bolts and a U-bolt for these units.

STEP 2 Remove unloading feet from header, the toolbar mounting brackets slide up into these slots and attach using 1/2" hitch pins. Note there are three positions for you to use to help achieve proper height.



STEP 3 Install the toolbars to the toolbar mount using the 1/2" U-bolts and flange nuts, unless you need to sandwich the toolbar between the row unit and toolbar mount. Then use the required the 1/2" x 4 1/2" bolt and nut as described above.





STEP 4 Install connector plate **TBMJ6003** with (4) 1/2" U-bolts, washers and flange nuts provided to join the tollbars together as shown.

STEP 5 Install the remaining row units on the toolbar with the 1/2" U-bolts provided. Position a mounting bracket at the center of each row requiring a Stubble Striker.



STEP 6 Install Stubble Stopper Shoe Assembly to mounting bracket according to Instructions SSUK201.

When using power tools, basic safety precautions should always be followed to reduce the risk of personal injury.

WEAR SAFETY GLASSES OR GOGGLES

Need Help Please Call Customer Service at 1-800-542-7659