



www.polyskid.com  
P. O. Drawer 349, Monticello, GA. 31064  
Phone: 800-542-7659  
Fax: 706-468-2881  
E-Mail: polytech@polyskid.com

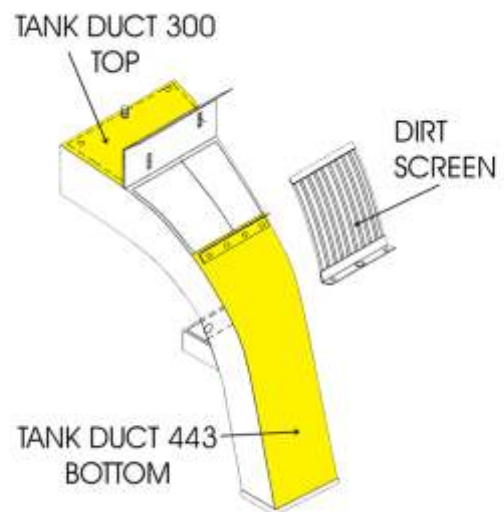
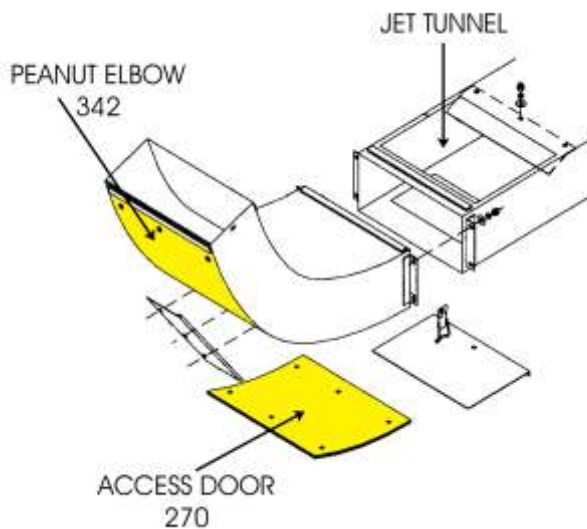
# INSTALLATION OF THE 1/4" POLY AIR DUCT LINER KIT for the KMC WIDE BODY 4 and 6 ROW PEANUT COMBINE

PLEASE READ THE ENTIRE INSTRUCTION SHEET BEFORE STARTING INSTALLATION

PLEASE REFER TO THE OPERATORS MANUAL FOR YOUR SPECIFIC COMBINE FOR PERTINENT SAFETY PRECAUTIONS

1. Compare the contents with the following parts list to confirm that you have received the correct panels and associated hardware.

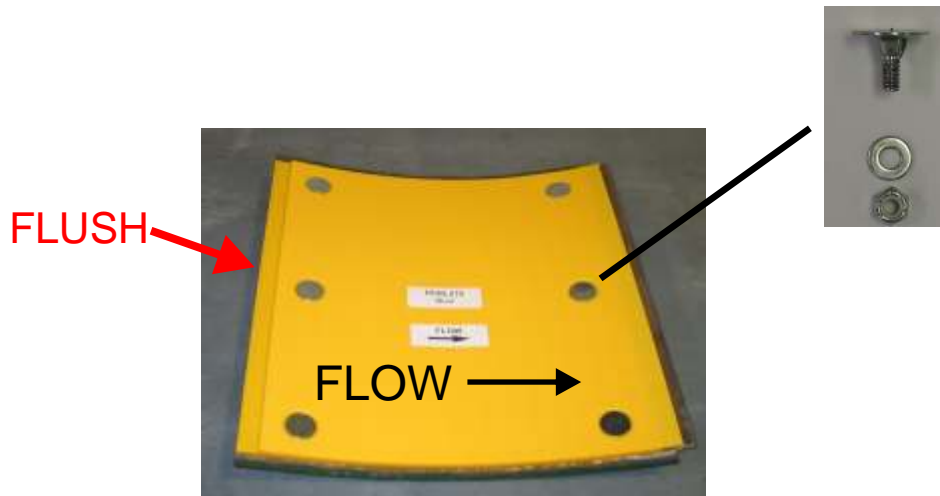
## KIT no: PCKK002 (Tall tank duct)



PCKH002  
Hardware



2. Remove ducts from combine.
3. Remove existing liners and thoroughly clean ducts.
4. Starting with the access door, align the PCKL270 liner with the direction of flow and position the “in- put” end flush with the edge of the door as illustrated below.
5. Secure the liner with the 1/4-20 x 3/4 elevator bolts, flat washers, and nylon inserted lock nuts supplied.



6. Tighten the bolts to firmly seat the head of the bolt....



...then loosen the nut  
3/4 to 1 turn.



