



Please Read Entire Instruction Sheet
Before Starting Installation.

CONGRATULATIONS

You have purchased the most advanced poly combine skid cover on the market.
Proper installation will insure your complete satisfaction.



U.S. Patent NO.s 4,729,212 & 5,174,101
Canadian Patent NO. 2,060,522

John Deere 200/900/900F Series

**How to Install Your Poly Last™
Combine Skid Cover**

SAFETY

Please refer to the Operators Manual or Manuals for your specific combine and header for pertinent Safety Precautions.

CAUTION: Always lower the safety stop per your operators manual when working under platform. Set parking brake, shut off engine and remove key.

IMPORTANT

If you have a JD 200 or early JD 900 Series Header without factory pre-punched holes, you will need to drill mounting holes in the steel skids.

Use Poly Skid Covers as a pattern for mounting holes and drill with 9/32" drill bit included.

After the holes are drilled, all other installation instructions will be the same for 200/900/900F series.

Factory Change Alert! If you have a 900F Serial #685000 and higher, make sure you have the appropriate kit. Several Panels are different.

VERY IMPORTANT

Be sure your combine head is PARALLEL TO THE GROUND – if not you will get premature wear on the rear or front of the header skids. See your operator's manual for adjustments.



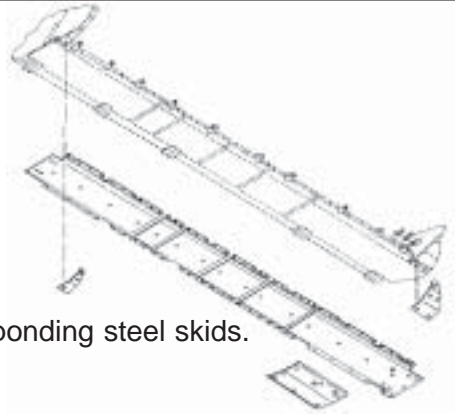
STEP 1

Check packing list to verify all parts are included. There is a matching poly skid for each steel panel.

Clean metal skids with wire brush.

Identify and lay out Poly Last™ covers under the corresponding steel skids.

Need Installation Help Call 800.542.7659



STEP 2

Identify the two lengths of hammer rivets.

SHORT 1/4" x 1/4" for use in counterbored holes (except end skids).

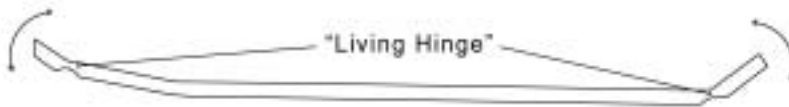


LONG 1/4" x 3/8" for use in elongated holes (slots) and end skids.



STEP 3

Take the Poly Last™ skid cover you have chosen and bend the top and bottom hole sections to fit the contour of the steel skid. You can use a pair of duck bill pliers, adjustable wrench etc. This will “Custom Fit” the Poly to your steel.



Each bottom and top row of holes is separated from the main skid cover body by a “living hinge” expansion joint.

After bending the Poly Last™ panel to fit the steel (this will take very little effort) you are now ready to drive the rivets. Bend and install one panel at a time.

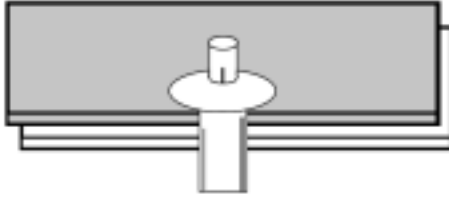
If there are holes in the Poly Last™ Panels that are not in your steel, use the included drill bit to drill your steel to match the Poly. Then use the correct length hammer rivet to install.

Starting with the center (counterbored) holes. Align all holes and drive the SHORT rivets into place.

STEP 4

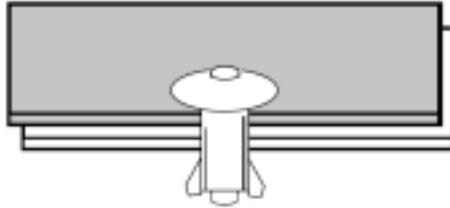
It may be necessary to clamp the bottom row of holes as you rivet.

INSERT A RIVET



Seat head firmly against outer surface.

HIT THE PIN



Drive pin flush with rivet head.

Expanding prongs clinch sheets tightly, eliminating gaps.

IMPORTANT: THE POLY NEEDS TO BE IN CONTACT WITH THE METAL WHILE DRIVING THE RIVET.

A Hammer Rivet Tool is recommended but not required and may be ordered at:
800.542.7659

STEP 5

Use the LONG rivets to install the left and right end skids.

Use the SHORT rivets to install the wobble box cover. Use the enclosed drill bit and the wobble box cover as a pattern, if necessary.

NOTE: If you need to remove a panel for any reason; Drive out the center pin and pull the rivet with pliers or claw hammer etc.

Need Help Call Poly Tech 800.542.7659